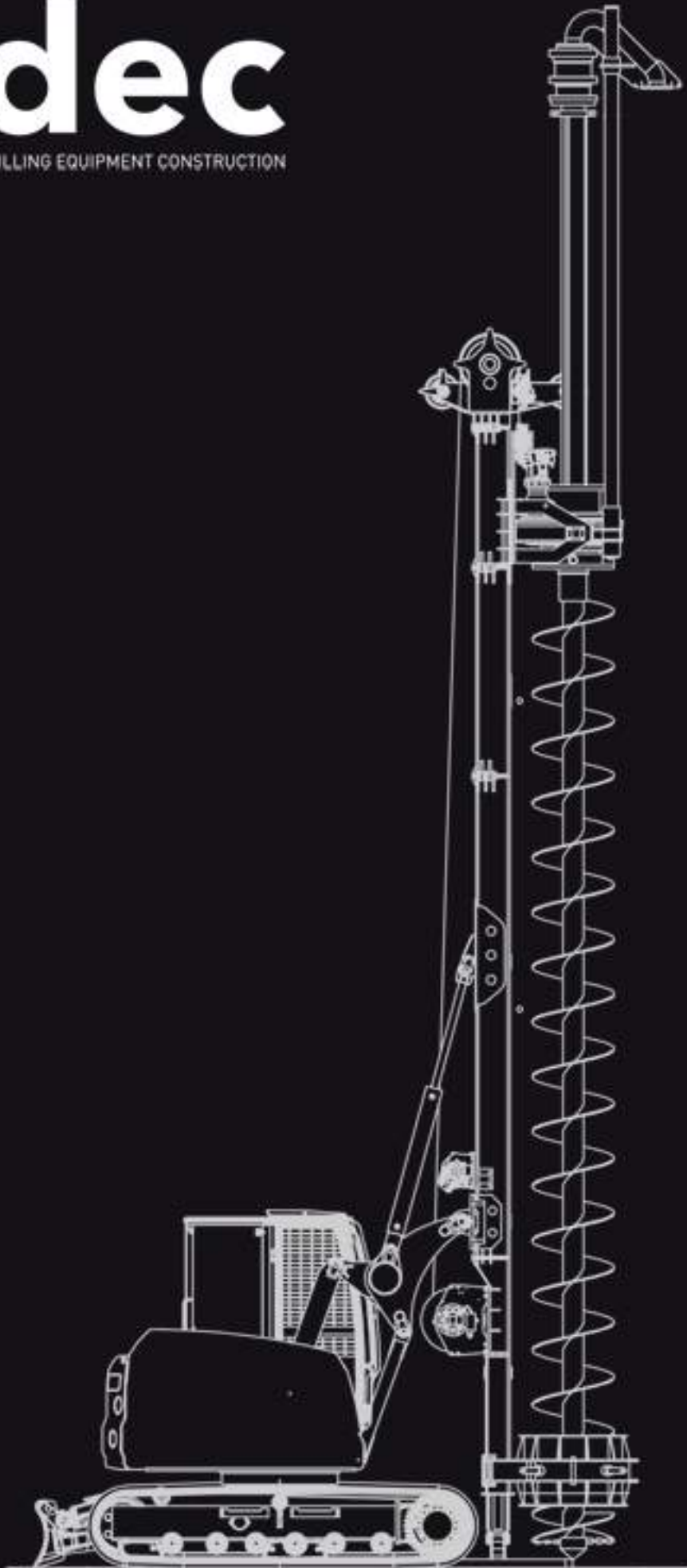




dec

DRILLING EQUIPMENT CONSTRUCTION



Cathead

Kinematics

Pull Down Cylinder

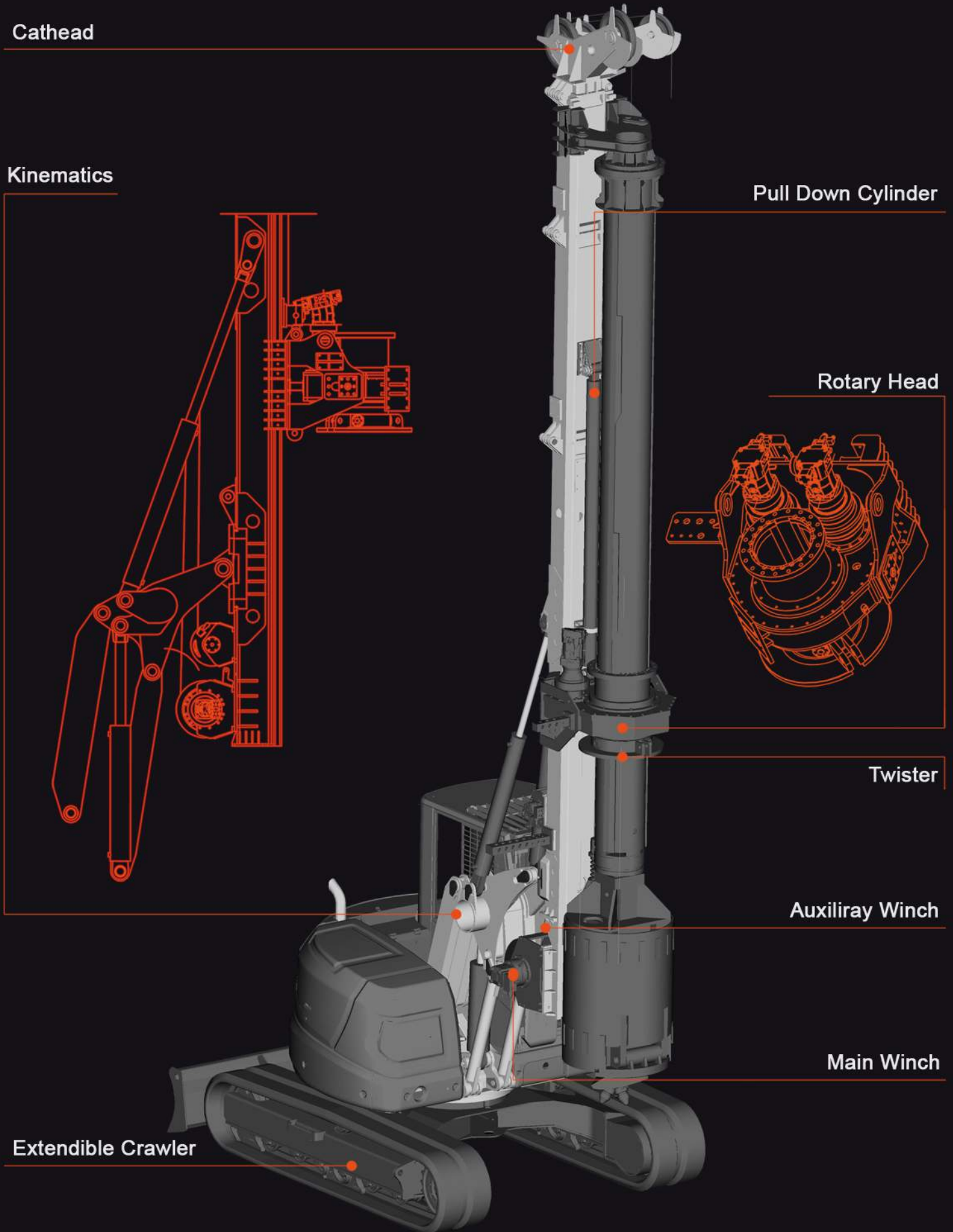
Rotary Head

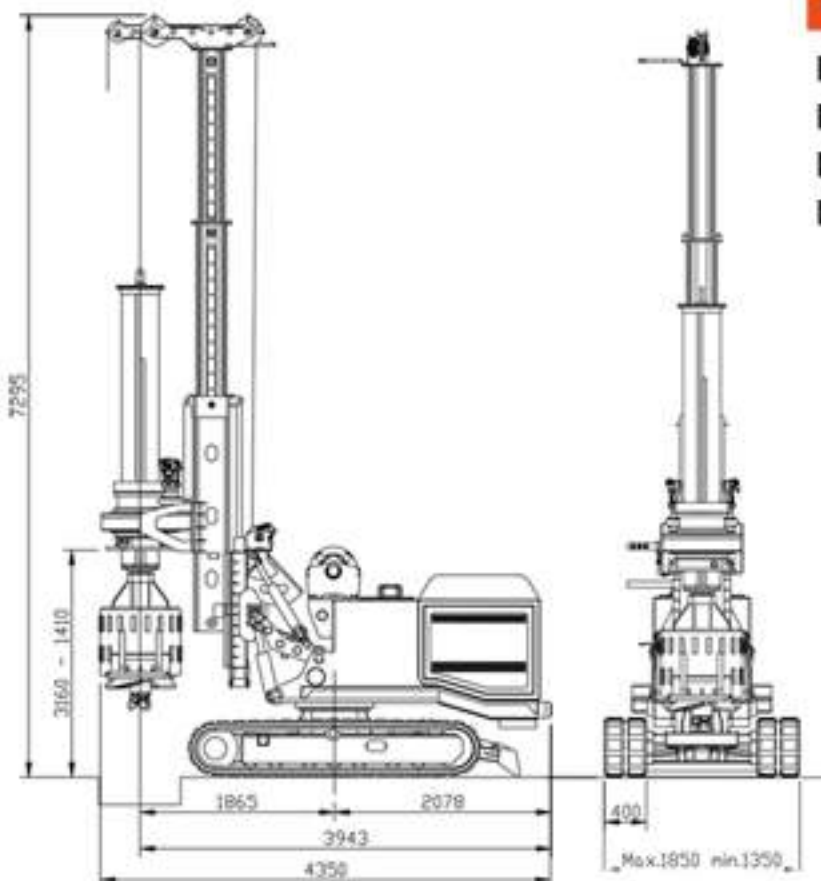
Twister

Auxiliray Winch

Main Winch

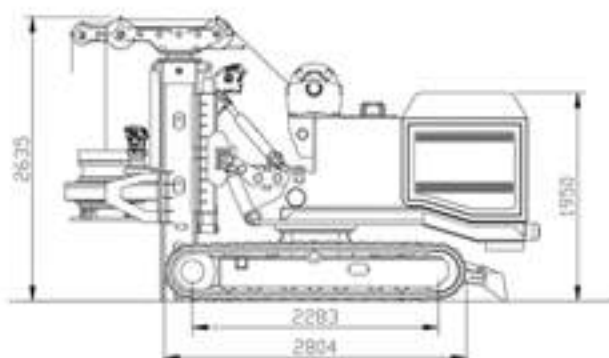
Extendible Crawler





BASE MACHINE

| | |
|----------------|--------------|
| Engine | many options |
| Engine Power | 80HP - 60kW |
| Fuel Tank | 90 lt |
| Hydraulic Tank | 350 lt |



DRILLING PERFORMANCE

| | |
|-----------|--------|
| Diameter | 800 mm |
| Max Depth | 18 m |

CROWD SYSTEM

| | |
|------------------|-----------|
| Pull Down Force | 8000 kgm |
| Extraction Force | 15000 kgm |
| Rotary Stroke | 1000 mm |

ROTARY HEAD

| | |
|----------------|----------|
| Nominal Torque | 3500 kgm |
| Drilling Speed | 24 RPM |
| Spin off Speed | 60 RPM |

TRANSPORT

| | |
|---------------|---------|
| Width | 1350 mm |
| Length | 4350 mm |
| Height | 2635 mm |
| Weight approx | 7000 kg |

MAST

| | |
|-------------------------|---------|
| Inclination Angle dx/sx | 3 deg |
| Mast Vertical Stroke | 1200 mm |

WINCHES

| | |
|----------------------|----------|
| Main Winch line pull | 4500 kgm |
| Aux winch line pull | 1200 kgm |

HYDRAULIC SYSTEM

| | |
|------------------|------------|
| Main Pumps | 150 lt/min |
| Secondary Pumps | 60 lt/min |
| Working Pressure | 280 bar |

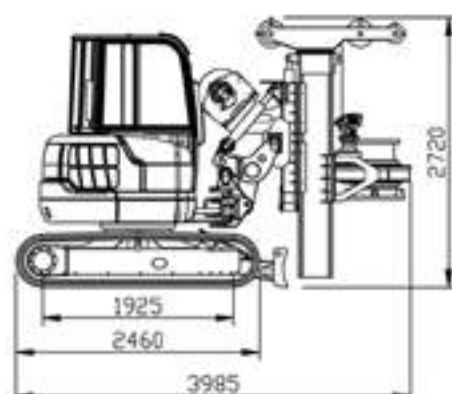
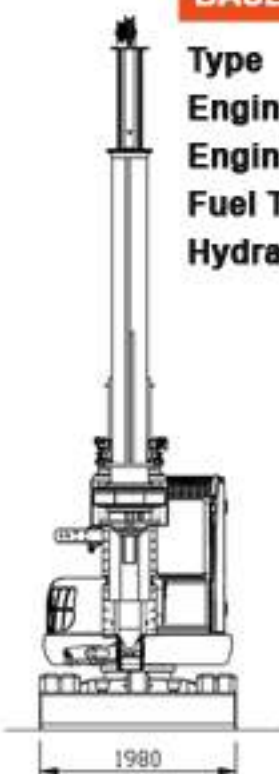
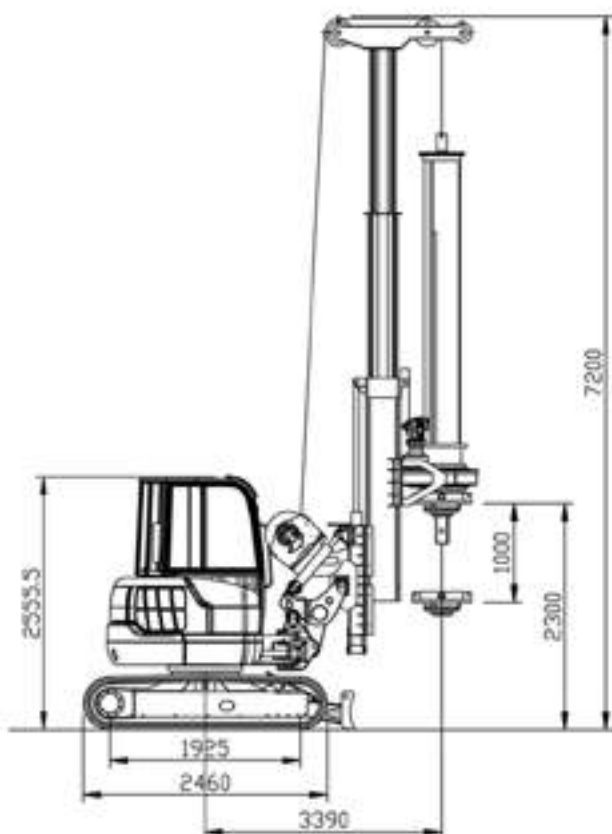
KELLY BAR OPTIONS Ø 355 mm

| Kelly Bar | Elements | Length | Depth |
|-----------|----------|---------|--------|
| Option 1 | 7 | 3200 mm | 21,5 m |
| Option 2 | 7 | 2700 mm | 18 m |
| Option 3 | 7 | 2500 mm | 16,5 m |
| Option 4 | 7 | 2000 mm | 13 m |
| Option 5 | 7 | 1600 mm | 10 m |

Other kelly bars available on request

BASE MACHINE

| | |
|----------------|-------------------|
| Type | Eurocomach ESP100 |
| Engine | Yanmar 4TNV98 |
| Engine Power | 73HP - 53,7kW |
| Fuel Tank | 105 l |
| Hydraulic Tank | 90 l |



DRILLING PERFORMANCE

| | |
|-----------|---------|
| Diameter | 1000 mm |
| Max Depth | 18 m |

CROWD SYSTEM

| | |
|------------------|-----------|
| Pull Down Force | 8000 kgm |
| Extraction Force | 15000 kgm |
| Rotary Stroke | 1000 mm |

ROTARY HEAD

| | |
|----------------|----------|
| Nominal Torque | 3500 kgm |
| Drilling Speed | 24 RPM |
| Spin off Speed | 60 RPM |

TRANSPORT

| | |
|--------|----------|
| Width | 1980 mm |
| Length | 3985 mm |
| Height | 2720 mm |
| Weight | 13000 kg |

MAST

| | |
|-------------------------|---------|
| Inclination Angle dx/sx | 3 deg |
| Mast Vertical Stroke | 1200 mm |

WINCHES

| | |
|----------------------|----------|
| Main Winch line pull | 4500 kgm |
| Aux winch line pull | 1000 kgm |

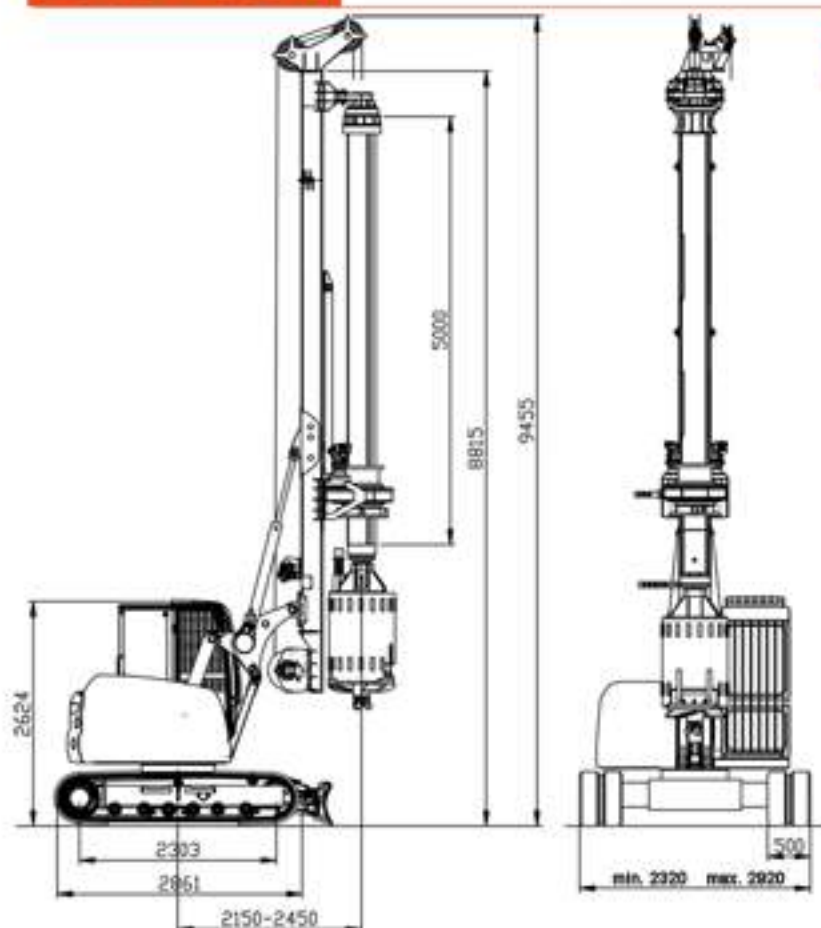
HYDRAULIC SYSTEM

| | |
|------------------|---------|
| Main Pumps | 185 l |
| Secondary Pumps | 20 l |
| Working Pressure | 240 bar |

KELLY BAR OPTIONS Ø 355 mm

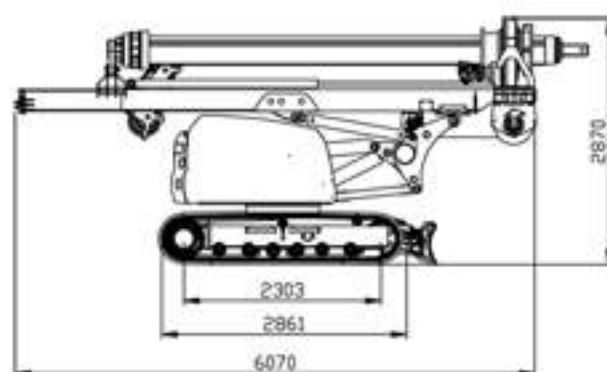
| Kelly Bar | Elements | Length | Depth |
|-----------|----------|---------|--------|
| Option 1 | 7 | 3200 mm | 21,5 m |
| Option 2 | 7 | 2700 mm | 18 m |
| Option 3 | 7 | 2500 mm | 16,5 m |
| Option 4 | 7 | 2000 mm | 13 m |
| Option 5 | 7 | 1600 mm | 10 m |

Other kelly bars available on request



BASE MACHINE

| | |
|----------------|-------------------|
| Type | Eurocomach ESP100 |
| Engine | Yanmar 4TNV98 |
| Engine Power | 73HP - 53,7kW |
| Fuel Tank | 105 l |
| Hydraulic Tank | 90 l |



DRILLING PERFORMANCE

| | |
|-----------|---------|
| Diameter | 1000 mm |
| Max Depth | 24 m |

CROWD SYSTEM

| | |
|------------------|-----------|
| Pull Down Force | 8000 kgm |
| Extraction Force | 15000 kgm |
| Rotary Stroke | 2000 mm |

ROTARY HEAD

| | |
|----------------|----------|
| Nominal Torque | 4800 kgm |
| Drilling Speed | 20 RPM |
| Spin off Speed | 60 RPM |

TRANSPORT

| | |
|--------|----------|
| Width | 2320 mm |
| Length | 6800 mm |
| Height | 2870 mm |
| Weight | 14000 kg |

MAST

| | |
|-------------------|-------|
| Inclination Angle | 3 deg |
|-------------------|-------|

WINCHES

| | |
|----------------------|---------|
| Main Winch line pull | 5000 kg |
| Aux winch line pull | 1500 kg |

HYDRAULIC SYSTEM

| | |
|------------------|---------|
| Main Pumps | 185 l |
| Secondary Pumps | 20 l |
| Working Pressure | 240 bar |

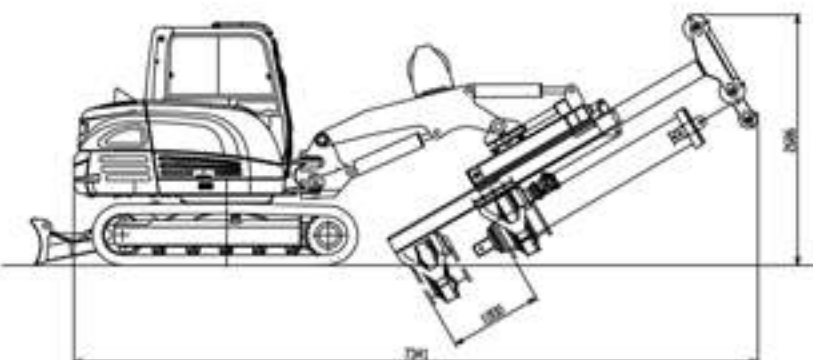
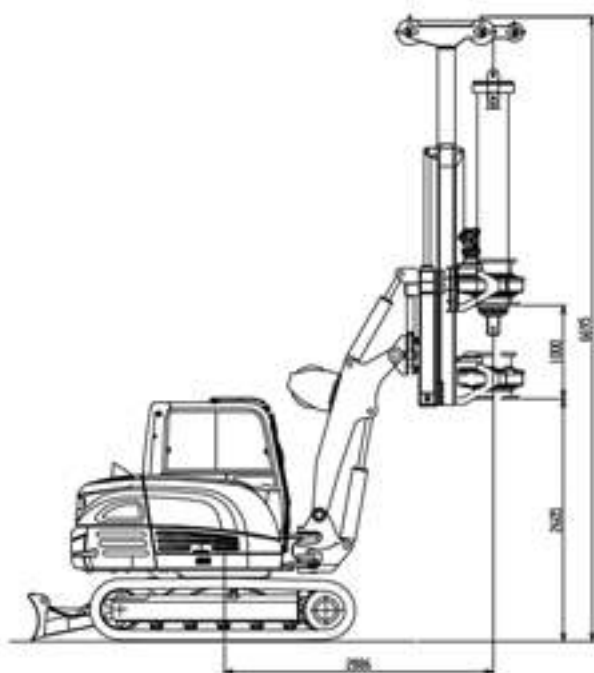
KELLY BAR OPTIONS Ø 323 mm

| Kelly Bar | Elements | Length | Depth |
|-----------|----------|---------|-------|
| Option 1 | 4 | 5000 mm | 20 m |
| Option 2 | 5 | 5000 mm | 24 m |

Other kelly bars available on request

BASE MACHINE

| | |
|----------------|-------------------|
| Type | Eurocomach ESP100 |
| Engine | Yanmar 4TNV98 |
| Engine Power | 73HP - 53,7kW |
| Fuel Tank | 105 l |
| Hydraulic Tank | 90 l |



DRILLING PERFORMANCE

| | |
|-----------|---------|
| Diameter | 1000 mm |
| Max Depth | 24 m |

CROWD SYSTEM

| | |
|------------------|-----------|
| Pull Down Force | 8000 kgm |
| Extraction Force | 15000 kgm |
| Rotary Stroke | 1000 mm |

ROTARY HEAD

| | |
|----------------|----------|
| Nominal Torque | 4800 kgm |
| Drilling Speed | 20 RPM |
| Spin off Speed | 60 RPM |

TRANSPORT

| | |
|--------|----------|
| Width | 2320 mm |
| Length | 7341 mm |
| Height | 2686 mm |
| Weight | 12500 kg |

MAST

| | |
|----------------------|---------|
| Forward Inclination | 22 deg |
| Backward Inclination | 22 deg |
| Lateral Inclination | 5 deg |
| Mast Vertical Stroke | 1200 mm |

WINCHES

| | |
|----------------------|---------|
| Main Winch line pull | 5000 kg |
| Aux winch line pull | 1500 kg |

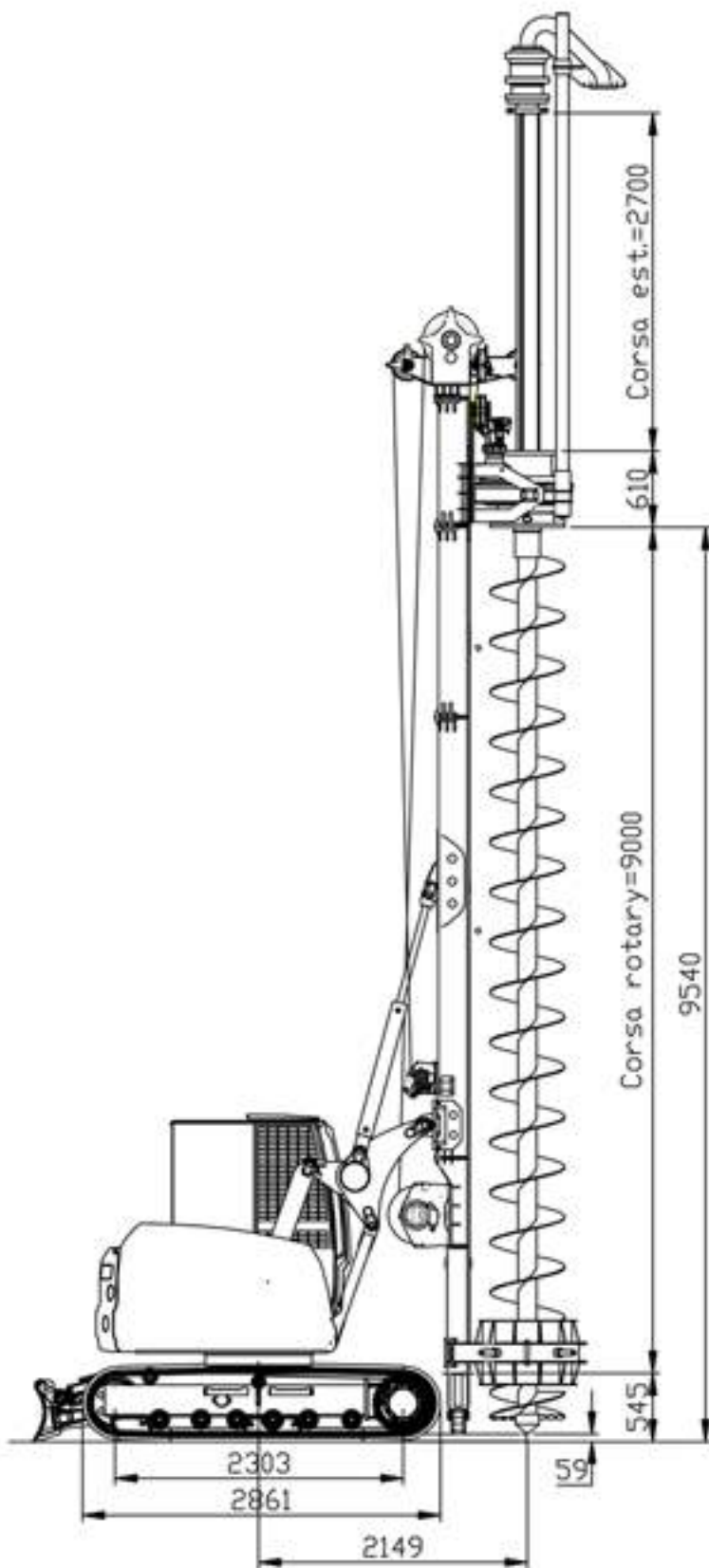
HYDRAULIC SYSTEM

| | |
|------------------|---------|
| Main Pumps | 185 l |
| Secondary Pumps | 20 l |
| Working Pressure | 290 bar |

KELLY BAR OPTIONS Ø 398 mm

| Kelly Bar | Elements | Length | Depth |
|-----------|----------|---------|-------|
| Option 1 | 7 | 2600 mm | 16 m |
| Option 2 | 7 | 3800 mm | 24 m |

Other kelly bars available on request



BASE MACHINE

| | |
|----------------|-------------------|
| Type | Eurocomach ESP100 |
| Engine | Yanmar 4TNV98 |
| Engine Power | 73HP - 53,7kW |
| Fuel Tank | 105 l |
| Hydraulic Tank | 90 l |

TRANSPORT

| | |
|--------|----------|
| Width | 2320 mm |
| Length | 6800 mm |
| Height | 2870 mm |
| Weight | 14000 kg |

DRILLING PERFORMANCE

| | |
|-----------|--------|
| Diameter | 600 mm |
| Max Depth | 11,7 m |

ROTARY HEAD

| | |
|----------------|----------|
| Nominal Torque | 4800 kgm |
| Drilling Speed | 20 RPM |
| Spin off Speed | 60 RPM |
| Rotary Stroke | 9000 mm |

HYDRAULIC SYSTEM

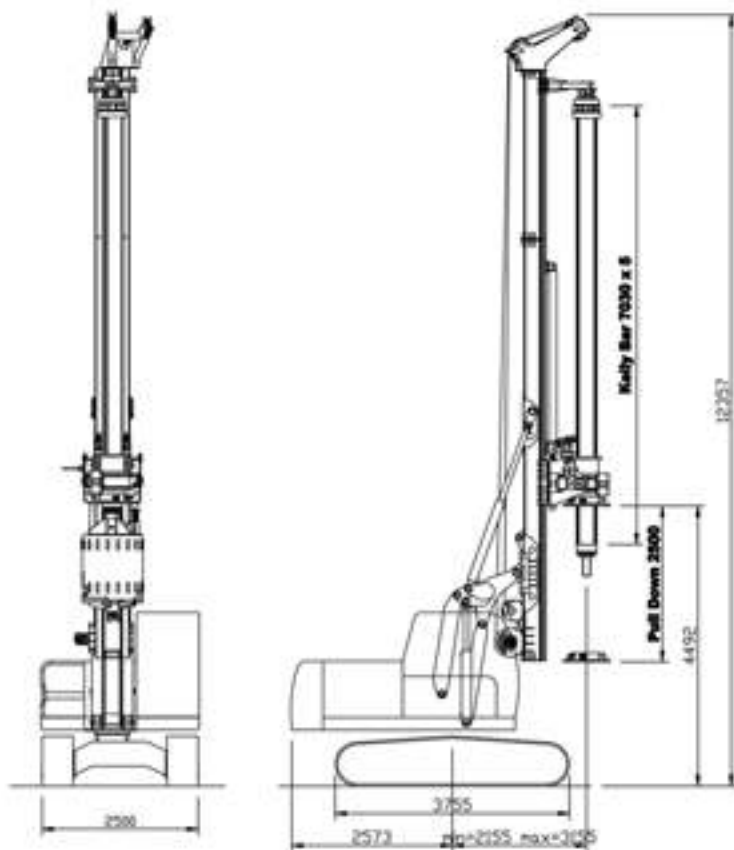
| | |
|------------------|---------|
| Main Pumps | 185 l |
| Secondary Pumps | 20 l |
| Working Pressure | 240 bar |

WINCHES

| | |
|----------------------|-----------|
| Main Winch line pull | 5000 kg |
| Aux winch line pull | 1500 kg |
| Extraction Force | 20000 kgm |

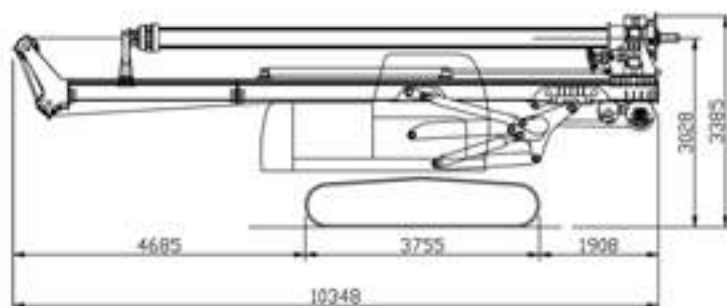
WINCH PULL DOWN - optional

| | |
|-----------------|----------|
| Pull Down Force | 1500 kgm |
|-----------------|----------|



BASE MACHINE

| | |
|----------------|---------------|
| Type | DOOSAN |
| Engine | DL06K |
| Engine Power | 110HP - 82 kW |
| Fuel Tank | 265 l |
| Hydraulic Tank | 150 l |



DRILLING PERFORMANCE

| | |
|-----------|---------|
| Diameter | 1200 mm |
| Max Depth | 28 m |

CROWD SYSTEM

| | |
|------------------|-----------|
| Pull Down Force | 10000 kgm |
| Extraction Force | 18000 kgm |
| Rotary Stroke | 2500 mm |

ROTARY HEAD

| | |
|----------------|----------|
| Nominal Torque | 6000 kgm |
| Drilling Speed | 20 RPM |
| Spin off Speed | 60 RPM |

TRANSPORT

| | |
|--------|----------|
| Width | 2500 mm |
| Length | 10348 mm |
| Height | 3385 mm |
| Weight | 18000 kg |

MAST

| | |
|-------------------|-------|
| Inclination Angle | 3 deg |
|-------------------|-------|

WINCHES

| | |
|----------------------|---------|
| Main Winch line pull | 8000 kg |
| Aux winch line pull | 2500 kg |

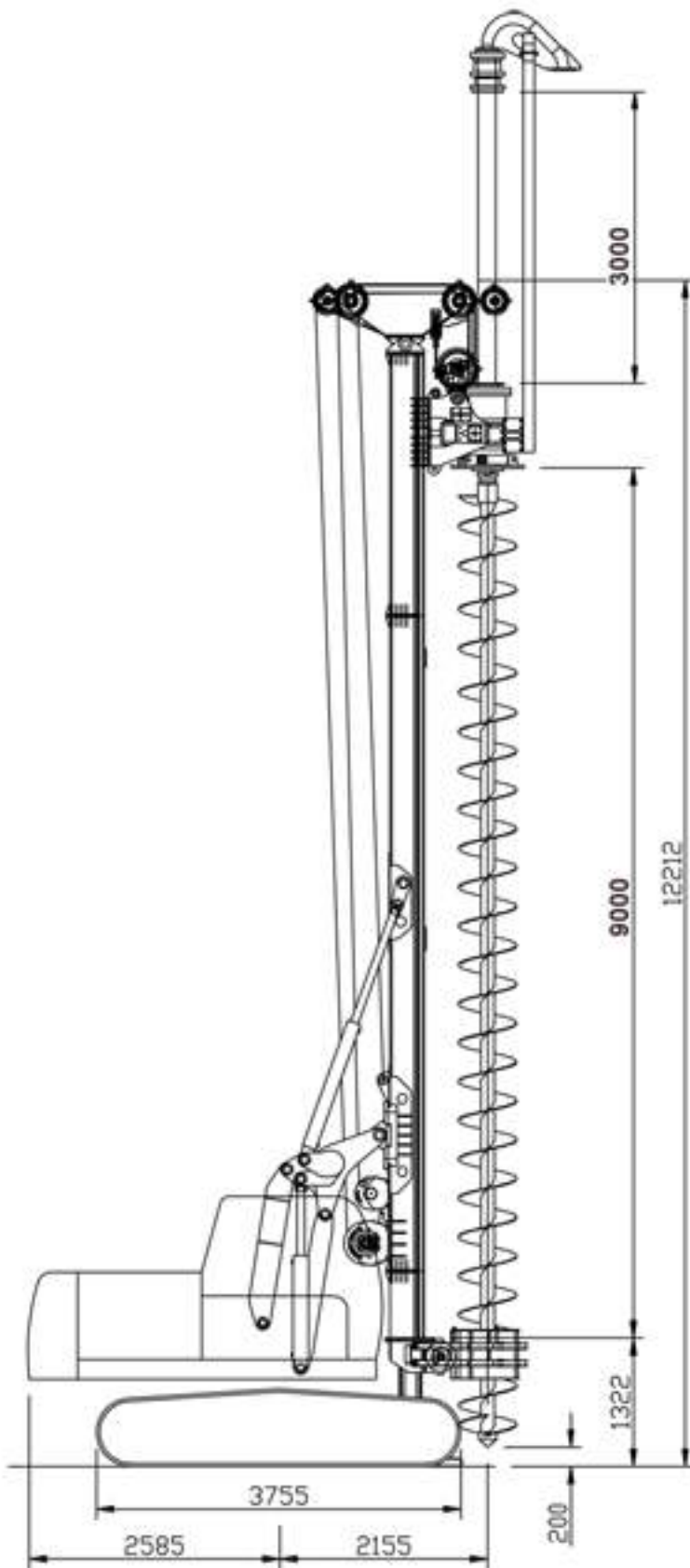
HYDRAULIC SYSTEM

| | |
|------------------|-----------|
| Main Pumps | 2 x 114 l |
| Secondary Pumps | 1 x 33 l |
| Working Pressure | 300 bar |

KELLY BAR OPTIONS Ø 323 mm

| Kelly Bar | Elements | Length | Depth |
|-----------|----------|---------|-------|
| Option 1 | 5 | 5000 mm | 24 m |
| Option 2 | 6 | 5000 mm | 28 m |
| Option 3 | 5 | 6000 mm | 28 m |

Other kelly bars available on request



BASE MACHINE

| | |
|----------------|--------------|
| Type | DOOSAN |
| Engine | DL06K |
| Engine Power | 110HP - 82kW |
| Fuel Tank | 265 l |
| Hydraulic Tank | 150 l |

TRANSPORT

| | |
|--------|----------|
| Width | 2500 mm |
| Length | 10348 mm |
| Height | 3385 mm |
| Weight | 18000 kg |

DRILLING PERFORMANCE

| | |
|-----------|--------|
| Diameter | 600 mm |
| Max Depth | 12 m |

ROTARY HEAD

| | |
|----------------|----------|
| Nominal Torque | 6000 kgm |
| Drilling Speed | 20 RPM |
| Spin off Speed | 60 RPM |
| Rotary Stroke | 9000 mm |

HYDRAULIC SYSTEM

| | |
|------------------|-----------|
| Main Pumps | 2 x 114 l |
| Secondary Pumps | 1 x 33 l |
| Working Pressure | 300 bar |

WINCHES

| | |
|----------------------|-----------|
| Main Winch line pull | 8000 kg |
| Aux winch line pull | 2500 kg |
| Extraction Force | 32000 kgm |

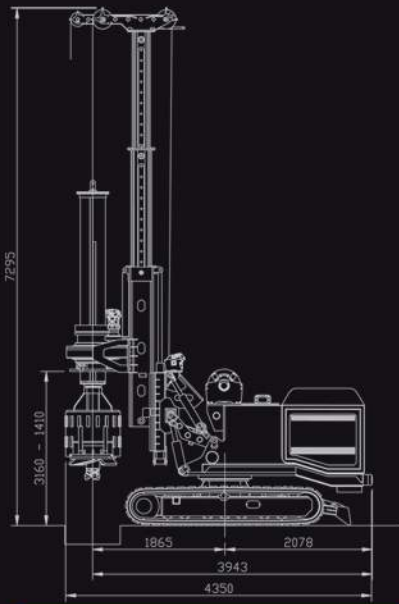
WINCH PULL DOWN - optional

| | |
|-----------------|----------|
| Pull Down Force | 1500 kgm |
|-----------------|----------|

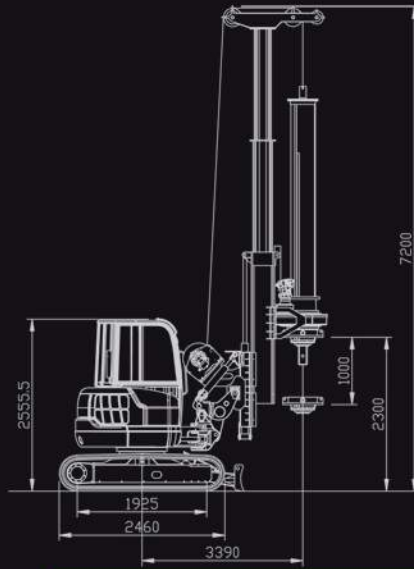


dec
DRILLING EQUIPMENT CONSTRUCTION

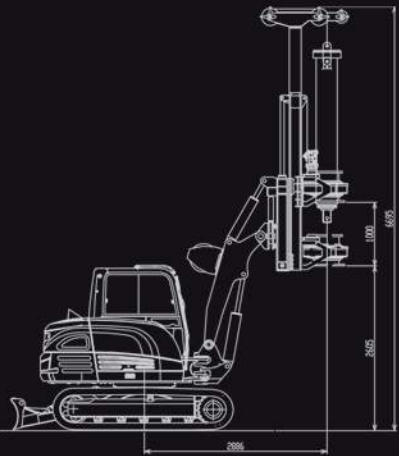
MODELS



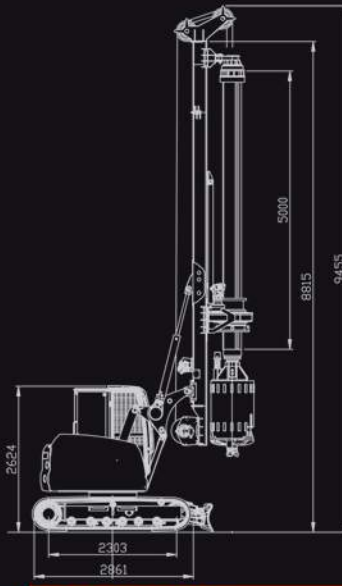
BT3.5 FULL RADIO



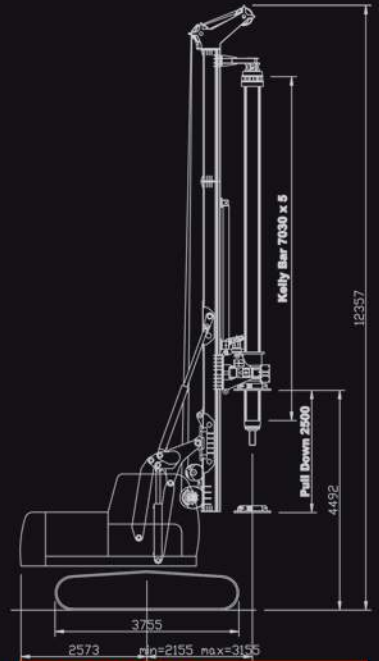
BT3.5 TELESCOPIC



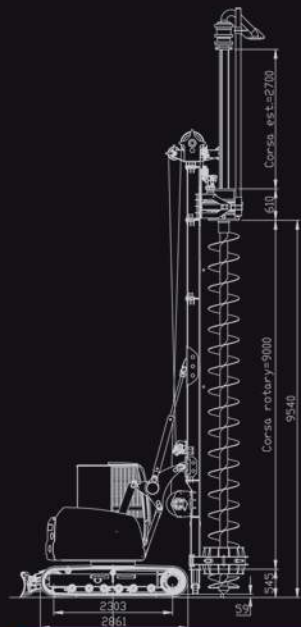
BT4.5 BOOM



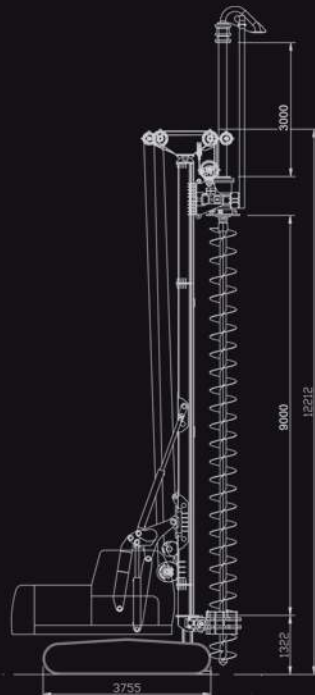
BT4.5 LDP



BT6.0 LDP



BT4.5 CFA



BT6.0 CFA



MADE IN ITALY

